



TEXCAN

A Sonepar Company

INSTRUMENTATION CABLE CATALOGUE

Wire & Cable Specialists

Our Commitment

Our commitment to our customers is simple - **we deliver even when others can't.**

As one of Canada's largest wire, cable and data communication distributors for over 40 years, Texcan supplies solutions for automotive, power distribution, control, industrial automation, commercial, residential, premise wiring and networking applications. Our commitment to superior customer service is the number one reason customers keep coming back.

Our parent company, Sonepar, is a major global electrical distributor, with divisions in 48 countries, 5 continents, over 48,000 associates and 3,000 branches.

Dedicated to Our Customers

Texcan understands that business is done between people. We consider a job finished when the customer is completely satisfied. This approach highlights our commitment to quality and our high level of customer service. This winning combination focuses on a personalized approach to our customers.

Product Expertise and Specialized Services

Texcan has five stocking locations in Western Canada. With over 200 employees, Texcan is able to provide product application expertise,

specialized technical assistance and superior sales service to meet our customers' needs.

We constantly strive to bring value to our customers. We provide:

- An extensive range of stock wire products
- Computerized order processing
- Regionalized bar coded warehousing
- Competitive pricing
- Inventory tracking technology
- JIT inventory

Strategic Partnerships

Texcan has worked hard to develop partnerships with customers and vendors and continues to be committed to developing such strategic alliances. These partnerships provide Texcan with a successful and proven record with some of the largest customers in the pulp and paper, mining, petrochemical, transportation, and communication industries.

Thanks to our relationships with key vendors such as: Prysmian Group, Southwire, Belden, Nexans, Northern Cables, Deca Cables, Marmon Electrical, CMP, and PTI Cables Inc., Texcan is able to offer its customers a diverse selection of quality products. We are confident we can continue to be your successful partner now and in the future.

Over 40 Years of Service



Table of Contents

	Page No.
Instrumentation Cable	4
Design Features - Instrumentation	5
Design Features - Armoured Control	6
Instrumentation Armoured Pairs & Triads	7
- 20AWG 300V	7
- 18AWG 300V	8
- 16AWG 300V	9
- 18AWG 600V	10
- 16AWG 600V	11
Instrumentation Tray Unarmoured Pairs & Triads	12
- 20AWG 300V	12
- 18AWG 300V	13
- 16AWG 300V	14
Armoured Control	15
- 16AWG 600V	15
Connectors	16-18
Technical Information	19
- Metric Conversions	19

To Place an Order - For many of the products in the catalogue, you will find everything that you need to place an order. Should you need any assistance or require special orders, please contact your sales representative. A complete list of our sales offices can be found on the back cover of this catalogue.

Introduction

Instrumentation cable is used extensively by the petrochemical, pulp and paper and other process industries. It is designed to minimize noise and signal interference to deliver clean signals in harsh environments and general manufacturing operations.

Designed for use in wet or dry locations, instrumentation cable has a maximum conductor temperature of 90°C and a low temperature rating of -40°C. The cable jacket is resistant to sunlight, moisture and vapor penetration. It is also an economical alternative as the need for conduits and pull boxes is eliminated.



Applications

Instrumentation cable can be used in a broad range of applications, especially where the cable may be subjected to mechanical damage and corrosive chemicals.

Instrumentation cables can be used in raceways and direct burial applications and can be supported by messenger wire in aerial or outdoor applications.

Primarily used for control applications, instrumentation cable is recommended where optimal noise rejection is required. Instrumentation cable is available in individually shielded pairs or triads with an overall shield construction. The pairs or triads are isolated from each other and contain separate drain wires for grounding to provide maximum protection from crosstalk and common mode interference. It is also available in aluminum or steel interlocked armour (for mechanical protection), in 300V and 600V.

Specifications

- CSA C22.2 No. 239:
 - Type CIC (Control and Instrumentation Cable)
 - Type ACIC (Armoured Control and Instrumentation Cable)
- CSA C22.2 No. 174, hazardous locations (HL), armoured cables only:
 - Class 1 Zone 1 (Division 1) & Zone 2 (Division 2)
 - Class II Division 1 & 2
- CSA C22.2 No. 75, Thermoplastic (PVC) Insulated Conductors
- CSA C22.2 No. 38, Thermoset (XLPE) Insulated Conductors
- CSA FT4 (Vertical Tray Flame Test)
- Flame Retardant Low Acid PVC
- Sunlight Resistant
- -40°C to +90°C (Dry or Wet)

CAUTION NOTICE

In case of fire, well maintained early warning smoke detectors will give an alarm long before non-metallic coverings become combustible. However, the Electrical and Electronic Manufacturers Association of Canada has suggested that all purchasers of PVC insulated / jacketed products be advised of the following:

- Non-metallic coverings of electrical cables can burn and may transmit fire when ignited.
- Burning non-metallic coverings may emit acid gases which are toxic and may generate dense smoke.
- Emission of acid gases may corrode metal in the vicinity e.g. sensitive instruments and reinforcing rods in cement.

The installer and/or user assumes all liability for the consequences of the installation and/or use of any of the products in violation of any applicable law, regulation, or code.

Instrumentation

Conductors - Class B concentric seven stranded soft annealed tinned copper.

Insulation - Cross-linked polyethylene (XLPE) insulation in accordance with CSA Standards C22.2 No. 239 and C22.2 No. 38.

Individual Shield - Aluminum foil-polyester tape with seven strand tinned copper drain wire for each pair or triad.

Overall Shield - Aluminum foil-polyester tape with seven strand tinned copper drain wire.

Jacket

Armoured Instrumentation: Inner flame-retardant PVC jacket with a nylon ripcord included for jacket removal.

Unarmoured Instrument Tray: Outer low temperature (-40°C), flame-retardant, moisture and sun resistant PVC jacket. Complete cable FT4 rated.

Armour - CSA certified interlocking aluminum armour is applied over the jacket. Suitable for use in Hazardous Locations in accordance with CSA 22.2 No. 174.

Outer Jacket Over Armour - Low temperature (-40°C), flame-retardant, moisture and sunlight resistant PVC jacket applied over the armour. Complete cable FT4 rated.

Colour Code

- Pairs are black, white and alpha numeric coded.
- Triads are black, white, red and alpha numeric coded.

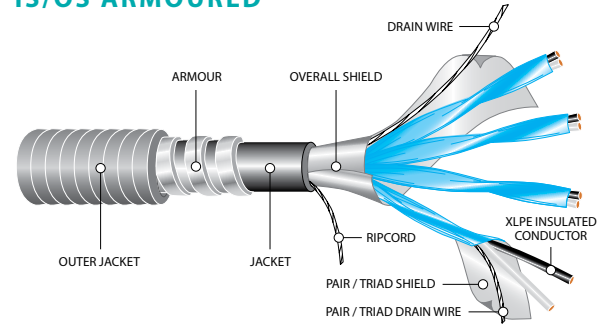
Options

- Voltage: 150V
- Polyvinyl Chloride (PVC) insulation
- Galvanized steel interlocked armour (GSIA) for 16AWG, 18AWG and 20AWG instrumentation cable
- Non-shielded or overall shielded cables available upon request
- Coloured outer jacket
- Other constructions available upon request

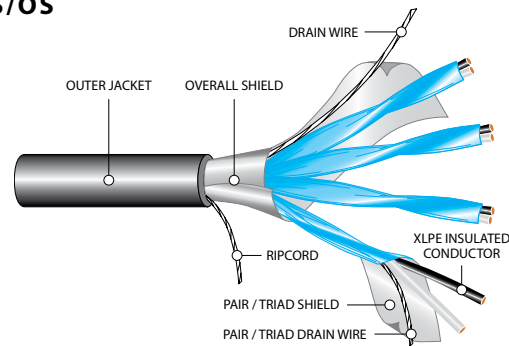
Accessories

- Non-hazardous armoured cable connectors
- Explosion proof (hazardous location) cable connectors

IS/OS ARMoured



IS/OS



Armoured Control

Conductors - Class B concentric seven stranded soft annealed bare copper.

Insulation - Cross-linked polyethylene (XLPE) in accordance with CSA standards C22.2 No. 239 and C22.2 No. 38.

Bonding (Ground) Conductor - Class B concentric seven stranded soft annealed bare copper conductor.

Jacket - Inner flame-retardant PVC jacket.

Armour - CSA certified interlocking aluminum armour is applied over the inner jacket. Suitable for use in Hazardous Locations in accordance with CSA 22.2 No. 174.

Outer Jacket - Low temperature (-40°C), flame-retardant, moisture and sunlight resistant PVC jacket is applied over the armour. Complete cable FT4 rated.

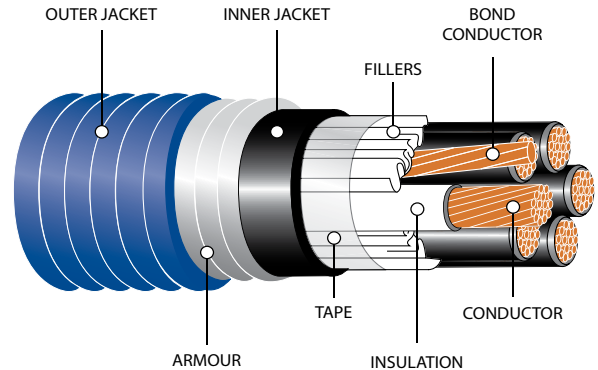
Colour Code - Conductor #1 is white, the remaining conductors are black and numbered.

Options

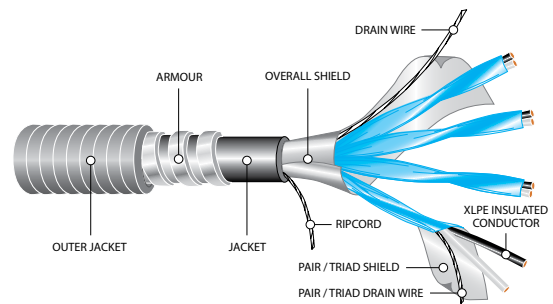
- Voltage: 300V
- 18AWG conductors
- Galvanized steel interlocked armour (GSIA)
- Unarmoured cables available
- Shielded cables available upon request
- Coloured outer jacket
- Other constructions available upon request

Accessories

- Non-hazardous armoured cable connectors
- Explosion proof (hazardous location) connectors



Individual and Overall Shielded 20AWG 300V XLPE/PVC



SPECIFICATIONS

- CSA C22.2 No. 239
- CSA C22.2 No. 174
- CSA C22.2 No. 38
- CSA FT4 (Vertical Tray Flame Test)

*refer to CE Code for details



CONSTRUCTION

- Conductor:** 7 strand tinned Class B concentric copper
- Insulation:** Cross-linked polyethylene (XLPE). Thickness: 0.020 in (0.51 mm)
- Individual Shield:** Aluminum/polyester tape shield with 7 strand drain wire over each pair or triad
- Overall Shield:** Overall aluminum/polyester tape shield with 7 strand drain wire
- Jacket:** Flame-retardant Polyvinyl Chloride (PVC)
- Armour:** Aluminum Interlocked Armour (AIA)
- Outer Jacket:** Low-temperature (-40°C), flame and sunlight resistant Polyvinyl Chloride (PVC), grey
- Options:** Galvanized Steel Interlocked Armour (GSIA)
Polyvinyl Chloride (PVC) Insulation
Overall shielded or non-shielded cables available
Other coloured outer jacket and constructions available upon request

PAIRS

Part Number	No. of Pairs	Insulation Thickness (in.)	Approximate Diameter (Over)		Net Weight		Minimum Bend Radius (in.)
			Inner Jacket (in.)	Outer Jacket (in.)	LB/MFT	KG/KM	
C3-9124-2001-19	1	0.020	0.256	0.559	127	189	6.7
C3-9324-2002-19	2	0.020	0.298	0.602	156	232	7.2
C3-9324-2004-19	4	0.020	0.452	0.758	234	348	9.0
C3-9324-2006-19	6	0.020	0.569	0.875	313	465	10.5
C3-9324-2008-19	8	0.020	0.614	0.921	356	530	11.0
C3-9324-2012-19	12	0.020	0.738	1.046	456	678	12.6
C3-9324-2016-19	16	0.020	0.816	1.161	581	864	13.9
C3-9324-2024-19	24	0.020	1.018	1.365	805	1198	16.4
C3-9324-2036-19	36	0.020	1.192	1.560	1076	1601	18.7
C3-9324-2050-19	50	0.020	1.375	1.747	1340	1994	20.9

TRIADS

Part Number	No. of Pairs	Insulation Thickness (in.)	Approximate Diameter (Over)		Net Weight		Minimum Bend Radius (in.)
			Inner Jacket (in.)	Outer Jacket (in.)	LB/MFT	KG/KM	
C3-9134-2001-19	1	0.020	0.268	0.572	136	203	6.9
C3-9334-2002-19	2	0.020	0.420	0.725	208	309	8.7
C3-9334-2004-19	4	0.020	0.485	0.791	267	398	9.5
C3-9334-2006-19	6	0.020	0.609	0.916	362	538	11.0
C3-9334-2008-19	8	0.020	0.659	0.966	418	622	11.6
C3-9334-2012-19	12	0.020	0.794	1.138	586	872	13.7
C3-9334-2016-19	16	0.020	0.920	1.266	744	1107	15.2
C3-9334-2024-19	24	0.020	1.097	1.445	978	1455	17.3
C3-9334-2036-19	36	0.020	1.344	1.716	1324	1970	20.5
C3-9334-2050-19	50	0.020	1.550	1.922	1670	2486	23.0

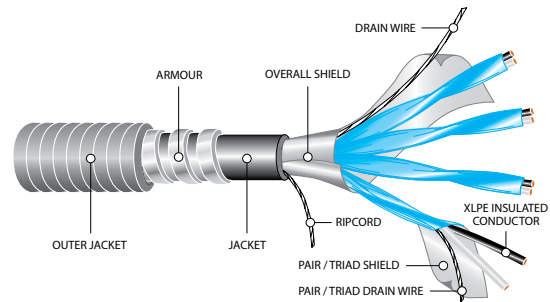
Note: All dimensions are nominal and are subject to normal manufacturing tolerance.

Specifications are subject to change without prior notice.

1 pair / triad overall shielded only. Single pair / triad overall shielded applies to multi-pairs / triads only.

* See pages 16-18 for corresponding connectors.

Individual and Overall Shielded 18AWG 300V XLPE/PVC



SPECIFICATIONS

- CSA C22.2 No. 239
- CSA C22.2 No. 174
- CSA C22.2 No. 38
- CSA FT4 (Vertical Tray Flame Test)

*refer to CE Code for details



CONSTRUCTION

- Conductor:** 7 strand tinned Class B concentric copper
- Insulation:** Cross-linked polyethylene (XLPE). Thickness: 0.025 in (0.64 mm)
- Individual Shield:** Aluminum/polyester tape shield with 7 strand drain wire over each pair or triad
- Overall Shield:** Overall aluminum/polyester tape shield with 7 strand drain wire
- Jacket:** Flame-retardant Polyvinyl Chloride (PVC)
- Armour:** Aluminum Interlocked Armour (AIA)
- Outer Jacket:** Low-temperature (-40°C), flame and sunlight resistant Polyvinyl Chloride (PVC), grey
- Options:** Galvanized Steel Interlocked Armour (GSIA)
Polyvinyl Chloride (PVC) Insulation
Overall shielded or non-shielded cables available
Other coloured outer jacket and constructions available upon request

PAIRS

Part Number	No. of Pairs	Insulation Thickness (in.)	Approximate Diameter (Over)		Net Weight		Minimum Bend Radius (in.)
			Inner Jacket (in.)	Outer Jacket (in.)	LB/MFT	KG/KM	
C3-9124-1801-19	1	0.025	0.296	0.600	147	218	7.2
C3-9324-1802-19	2	0.025	0.347	0.651	185	276	7.8
C3-9324-1804-19	4	0.025	0.555	0.861	307	457	10.3
C3-9324-1806-19	6	0.025	0.658	0.966	385	573	11.6
C3-9324-1808-19	8	0.025	0.713	1.021	446	663	12.3
C3-9324-1812-19	12	0.025	0.902	1.248	670	997	15.0
C3-9324-1816-19	16	0.025	0.997	1.344	794	1181	16.1
C3-9324-1824-19	24	0.025	1.192	1.561	1073	1597	18.7
C3-9324-1836-19	36	0.025	1.401	1.772	1416	2107	21.3
C3-9324-1850-19	50	0.025	1.672	2.109	1877	2794	25.3

TRIADS

Part Number	No. of Pairs	Insulation Thickness (in.)	Approximate Diameter (Over)		Net Weight		Minimum Bend Radius (in.)
			Inner Jacket (in.)	Outer Jacket (in.)	LB/MFT	KG/KM	
C3-9134-1801-19	1	0.025	0.311	0.616	161	239	7.4
C3-9334-1802-19	2	0.025	0.498	0.804	253	377	9.6
C3-9334-1804-19	4	0.025	0.610	0.917	363	540	11.0
C3-9334-1806-19	6	0.025	0.727	1.035	464	691	12.4
C3-9334-1808-19	8	0.025	0.788	1.132	586	872	13.6
C3-9334-1812-19	12	0.025	0.997	1.344	821	1222	16.1
C3-9334-1816-19	16	0.025	1.105	1.452	987	1468	17.4
C3-9334-1824-19	24	0.025	1.325	1.695	1354	2014	20.3
C3-9334-1836-19	36	0.025	1.633	2.070	1875	2790	24.8

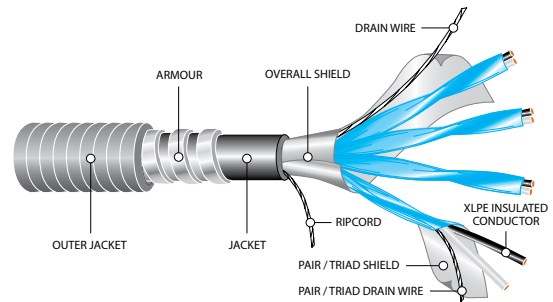
Note: All dimensions are nominal and are subject to normal manufacturing tolerance.

Specifications are subject to change without prior notice.

1 pair / triad overall shielded only. Single pair / triad overall shielded applies to multi-pairs / triads only.

* See pages 16-18 for corresponding connectors.

Individual and Overall Shielded 16AWG 300V XLPE/PVC



SPECIFICATIONS

- CSA C22.2 No. 239
- CSA C22.2 No. 174
- CSA C22.2 No. 38
- CSA FT4 (Vertical Tray Flame Test)

*refer to CE Code for details



CONSTRUCTION

- Conductor:** 7 strand tinned Class B concentric copper
- Insulation:** Cross-linked polyethylene (XLPE). Thickness: 0.025 in. (0.64 mm)
- Individual Shield:** Aluminum/polyester tape shield with 7 strand drain wire over each pair or triad
- Overall Shield:** Overall aluminum/polyester tape shield with 7 strand drain wire
- Jacket:** Flame-retardant Polyvinyl Chloride (PVC)
- Armour:** Aluminum Interlocked Armour (AIA)
- Outer Jacket:** Low-temperature (-40°C), flame and sunlight resistant Polyvinyl Chloride (PVC), grey
- Options:** Galvanized Steel Interlocked Armour (GSIA)
Polyvinyl Chloride (PVC) Insulation
Overall shielded or non-shielded cables available
Other coloured outer jacket and constructions available upon request

PAIRS

Part Number	No. of Pairs	Insulation Thickness (in.)	Approximate Diameter (Over)		Net Weight		Minimum Bend Radius (in.)
			Inner Jacket (in.)	Outer Jacket (in.)	LB/ MFT	KG/ KM	
C3-9124-1601-19	1	0.025	0.316	0.620	160	238	7.4
C3-9324-1602-19	2	0.025	0.371	0.676	209	311	8.1
C3-9324-1604-19	4	0.025	0.605	0.912	356	529	10.8
C3-9324-1606-19	6	0.025	0.721	1.029	453	674	12.3
C3-9324-1608-19	8	0.025	0.782	1.126	571	849	13.5
C3-9324-1612-19	12	0.025	0.989	1.335	798	1187	16.0
C3-9324-1616-19	16	0.025	1.095	1.442	956	1422	17.3
C3-9324-1624-19	24	0.025	1.313	1.682	1308	1946	20.2
C3-9324-1636-19	36	0.025	1.546	1.918	1976	2940	23.0
C3-9324-1650-19	50	0.025	1.910	2.347	2455	3654	28.1

TRIADS

Part Number	No. of Pairs	Insulation Thickness (in.)	Approximate Diameter (Over)		Net Weight		Minimum Bend Radius (in.)
			Inner Jacket (in.)	Outer Jacket (in.)	LB/ MFT	KG/ KM	
C3-9134-1601-19	1	0.025	0.333	0.638	178	265	7.7
C3-9334-1602-19	2	0.025	0.567	0.874	311	463	10.5
C3-9334-1604-19	4	0.025	0.657	0.964	423	629	11.6
C3-9334-1606-19	6	0.025	0.785	1.130	590	878	13.6
C3-9334-1608-19	8	0.025	0.893	1.239	741	1103	14.9
C3-9334-1612-19	12	0.025	1.079	1.426	986	1467	17.1
C3-9334-1616-19	16	0.025	1.197	1.565	1225	1822	18.8
C3-9334-1624-19	24	0.025	1.439	1.810	1658	2467	21.7
C3-9334-1636-19	36	0.025	1.867	2.304	2494	3711	27.6

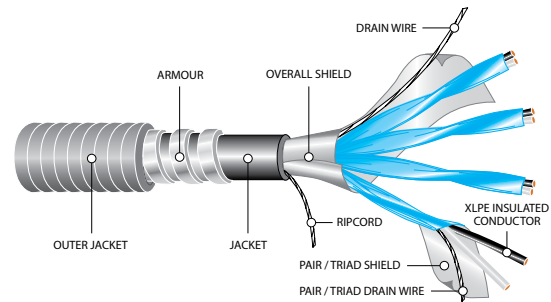
Note: All dimensions are nominal and are subject to normal manufacturing tolerance.

Specifications are subject to change without prior notice.

1 pair / triad overall shielded only. Single pair / triad overall shielded applies to multi-pairs / triads only.

* See pages 16-18 for corresponding connectors.

Individual and Overall Shielded 18AWG 600V XLPE/PVC



SPECIFICATIONS

- CSA C22.2 No. 239
- CSA C22.2 No. 174
- CSA C22.2 No. 38
- CSA FT4 (Vertical Tray Flame Test)

*refer to CE Code for details



CONSTRUCTION

Conductor: 7 strand tinned Class B concentric copper

Insulation: Cross-linked polyethylene (XLPE). Thickness: 0.030 in (0.76 mm)

Individual Shield: Aluminum/polyester tape shield with 7 strand drain wire over each pair or triad

Overall Shield: Overall aluminum/polyester tape shield with 7 strand drain wire

Jacket: Flame-retardant Polyvinyl Chloride (PVC)

Armour: Aluminum Interlocked Armour (AIA)

Outer Jacket: Low-temperature (-40°C), flame and sunlight resistant Polyvinyl Chloride (PVC), grey

Options: Galvanized Steel Interlocked Armour (GSIA)

Polyvinyl Chloride (PVC) Insulation

Overall shielded or non-shielded cables available

Other coloured outer jacket and constructions available upon request

PAIRS

Part Number	No. of Pairs	Insulation Thickness (in.)	Approximate Diameter (Over)		Net Weight		Minimum Bend Radius (in.)
			Inner Jacket (in.)	Outer Jacket (in.)	LB/MFT	KG/KM	
C6-9124-1801-19	1	0.030	0.316	0.620	155	231	7.4
C6-9324-1802-19	2	0.030	0.372	0.676	197	293	8.1
C6-9324-1804-19	4	0.030	0.591	0.898	328	488	10.8
C6-9324-1806-19	6	0.030	0.703	1.011	413	615	12.1
C6-9324-1808-19	8	0.030	0.762	1.106	519	772	13.3
C6-9324-1812-19	12	0.030	0.965	1.311	721	1073	15.7
C6-9324-1816-19	16	0.030	1.067	1.414	856	1274	17.0
C6-9324-1824-19	24	0.030	1.279	1.648	1161	1727	19.8
C6-9324-1836-19	36	0.030	1.506	1.877	1756	2613	22.5
C6-9324-1850-19	50	0.030	1.880	2.317	2150	3199	27.8

TRIADS

Part Number	No. of Pairs	Insulation Thickness (in.)	Approximate Diameter (Over)		Net Weight		Minimum Bend Radius (in.)
			Inner Jacket (in.)	Outer Jacket (in.)	LB/MFT	KG/KM	
C6-9134-1801-19	1	0.030	0.333	0.638	171	254	7.7
C6-9334-1802-19	2	0.030	0.567	0.874	295	439	10.5
C6-9334-1804-19	4	0.030	0.657	0.964	392	583	11.6
C6-9334-1808-19	8	0.030	0.893	1.239	680	1012	14.9
C6-9334-1812-19	12	0.030	1.125	1.426	919	1367	17.7

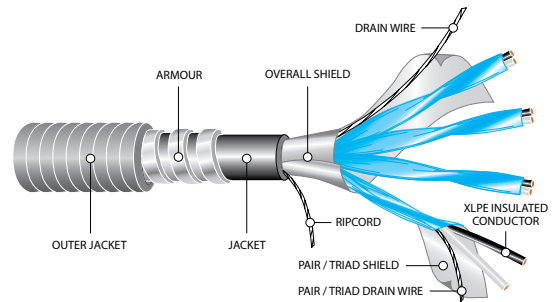
Note: All dimensions are nominal and are subject to normal manufacturing tolerance.

Specifications are subject to change without prior notice.

1 pair / triad overall shielded only. Single pair / triad overall shielded applies to multi-pairs / triads only.

* See pages 16-18 for corresponding connectors.

Individual and Overall Shielded 16AWG/14 AWG 600V XLPE/PVC



SPECIFICATIONS

- CSA C22.2 No. 239
- CSA C22.2 No. 174
- CSA C22.2 No. 38
- CSA FT4 (Vertical Tray Flame Test)

*refer to CE Code for details



CONSTRUCTION

- Conductor:** 7 strand tinned Class B concentric copper
- Insulation:** Cross-linked polyethylene (XLPE). Thickness: 0.030 in. (0.76 mm)
- Individual Shield:** Aluminum/polyester tape shield with 7 strand drain wire over each pair or triad
- Overall Shield:** Overall aluminum/polyester tape shield with 7 strand drain wire
- Jacket:** Flame-retardant Polyvinyl Chloride (PVC)
- Armour:** Aluminum Interlocked Armour (AIA)
- Outer Jacket:** Low-temperature (-40°C), flame and sunlight resistant Polyvinyl Chloride (PVC), grey
- Options:** Galvanized Steel Interlocked Armour (GSIA)
Polyvinyl Chloride (PVC) Insulation
Overall shielded or non-shielded cables available
Other coloured outer jacket and constructions available upon request

PAIRS

Part Number	No. of Pairs	Insulation Thickness (in.)	Approximate Diameter (Over)		Net Weight		Minimum Bend Radius (in.)
			Inner Jacket (in.)	Outer Jacket (in.)	LB/ MFT	KG/ KM	
C6-9124-1601-19	1	0.030	0.336	0.640	169	251	7.6
C6-9324-1602-19	2	0.030	0.396	0.701	221	329	8.4
C6-9324-1604-19	4	0.030	0.641	0.948	377	561	11.4
C6-9324-1606-19	6	0.030	0.766	1.109	522	777	13.3
C6-9324-1608-19	8	0.030	0.871	1.216	652	970	14.6
C6-9324-1612-19	12	0.030	1.051	1.398	851	1266	16.8
C6-9324-1616-19	16	0.030	1.165	1.533	1050	1563	18.4
C6-9324-1624-19	24	0.030	1.400	1.770	1400	2083	21.2
C6-9324-1636-19	36	0.030	1.651	2.024	2117	3150	24.3

14 AWG

C6-9124-1401-19	1	0.030	0.045	0.049	188	280	7.6
-----------------	---	-------	-------	-------	-----	-----	-----

TRIADS

Part Number	No. of Pairs	Insulation Thickness (in.)	Approximate Diameter (Over)		Net Weight		Minimum Bend Radius (in.)
			Inner Jacket (in.)	Outer Jacket (in.)	LB/ MFT	KG/ KM	
C6-9134-1601-19	1	0.030	0.355	0.638	188	280	7.6
C6-9334-1602-19	2	0.030	0.607	0.874	332	494	10.5
C6-9334-1604-19	4	0.030	0.704	0.964	453	674	11.6
C6-9334-1608-19	8	0.030	0.958	1.239	796	1184	14.9

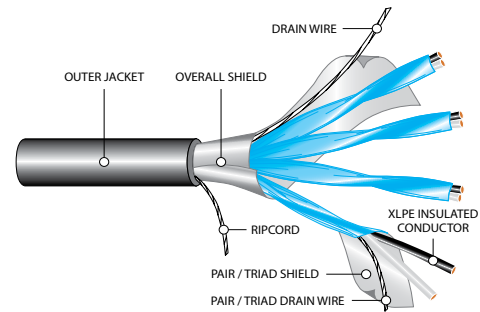
Note: All dimensions are nominal and are subject to normal manufacturing tolerance.

Specifications are subject to change without prior notice.

1 pair / triad overall shielded only. Single pair / triad overall shielded applies to multi-pairs / triads only.

* See pages 16-18 for corresponding connectors.

Individual and Overall Shielded 20AWG 300V XLPE/PVC



SPECIFICATIONS

- CSA C22.2 No. 230
- CSA C22.2 No. 239
- CSA C22.2 No. 38
- CSA FT4 rated (70,000 BTU Vertical Flame Test)

*refer to CE Code for details



CONSTRUCTION

Conductor: 7 strand tinned Class B concentric copper

Insulation: Flame retardant (FR) Cross-Linked Polyethylene (XLPE), Type RW90

Individual Shield: Aluminum/polyester tape shield with 7 strand drain wire over each pair or triad

Overall Shield: Overall aluminum/polyester tape shield with 7 strand drain wire

Outer Jacket: Low-temperature (-40°C), flame and sunlight resistant Polyvinyl Chloride (PVC), black

Options: Tinned copper braid shielded cables are available upon request
150V cable

Polyvinyl Chloride (PVC) insulation

Other coloured outer jacket and constructions available upon request

Overall shielded only

PAIRS

Part Number	No. of Pairs	Insulation Thickness (in.)	Approximate Diameter (in.)	Net Weight		Minimum Bend Radius (in.)
				LB/MFT	KG/KM	
C3-1124-2001-11	1	0.020	0.256	30	44	3.0
C3-1324-2002-11	2	0.020	0.298	48	71	3.5
C3-1324-2004-11	4	0.020	0.452	87	129	5.4
C3-1324-2008-11	8	0.020	0.614	165	245	7.3
C3-1324-2012-11	12	0.020	0.738	230	342	8.8
C3-1324-2016-11	16	0.020	0.816	290	432	9.7
C3-1324-2024-11	24	0.020	1.018	446	664	12.2
C3-1324-2036-11	36	0.020	1.192	627	933	14.3
C3-1324-2050-11	50	0.020	1.672	1068	1589	20.0

TRIADS

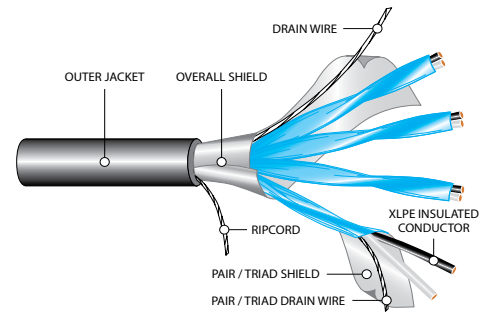
Part Number	No. of Pairs	Insulation Thickness (in.)	Approximate Diameter (in.)	Net Weight		Minimum Bend Radius (in.)
				LB/MFT	KG/KM	
C3-1134-2001-11	1	0.020	0.269	36	54	3.2
C3-1334-2002-11	2	0.020	0.420	69	102	5.0
C3-1334-2004-11	4	0.020	0.486	111	165	5.8
C3-1334-2008-11	8	0.020	0.660	212	316	7.9
C3-1334-2012-11	12	0.020	0.795	300	447	9.5
C3-1334-2016-11	16	0.020	0.922	415	617	11.0
C3-1334-2024-11	24	0.020	1.099	587	874	13.0

Note: All dimensions are nominal and are subject to normal manufacturing tolerance.
Specifications are subject to change without prior notice.

1 pair / triad overall shielded only. Single pair / triad overall shielded applies to multi-pairs / triads only.

* See page 18 for corresponding connectors.

Individual and Overall Shielded 18AWG 300V XLPE/PVC



SPECIFICATIONS

- CSA C22.2 No. 230
- CSA C22.2 No. 239
- CSA C22.2 No. 38
- CSA FT4 rated (70,000 BTU Vertical Flame Test)

*refer to CE Code for details



CONSTRUCTION

Conductor: 7 strand tinned Class B concentric copper

Insulation: Flame retardant (FR) Cross-Linked Polyethylene (XLPE), Type RW90

Individual Shield: Aluminum/polyester tape shield with 7 strand drain wire over each pair or triad

Overall Shield: Overall aluminum/polyester tape shield with 7 strand drain wire

Outer Jacket: Low-temperature (-40°C), flame and sunlight resistant Polyvinyl Chloride (PVC), black

Options: Tinned copper braid shielded cables are available upon request

150V or 600V cable

Polyvinyl Chloride (PVC) insulation

Other coloured outer jacket and constructions available upon request

Overall shielded only

PAIRS

Part Number	No. of Pairs	Insulation Thickness (in.)	Approximate Diameter (in.)	Net Weight		Minimum Bend Radius (in.)
				LB/MFT	KG/KM	
C3-1124-1801-11	1	0.025	0.296	42	63	3.5
C3-1324-1802-11	2	0.025	0.347	65	96	4.0
C3-1324-1804-11	4	0.025	0.555	132	196	6.6
C3-1324-1808-11	8	0.025	0.713	226	336	8.5
C3-1324-1812-11	12	0.025	0.902	349	520	10.8
C3-1324-1816-11	16	0.025	0.997	440	655	11.9
C3-1324-1824-11	24	0.025	1.192	623	927	14.3
C3-1324-1836-11	36	0.025	1.401	884	1315	16.8
C3-1324-1850-11	50	0.025	1.880	1497	2227	22.5

TRIADS

Part Number	No. of Pairs	Insulation Thickness (in.)	Approximate Diameter (in.)	Net Weight		Minimum Bend Radius (in.)
				LB/MFT	KG/KM	
C3-1134-1801-11	1	0.025	0.312	51	76	3.7
C3-1334-1802-11	2	0.025	0.499	94	140	5.9
C3-1334-1804-11	4	0.025	0.611	171	255	7.3
C3-1334-1808-11	8	0.025	0.790	302	449	9.4
C3-1334-1812-11	12	0.025	0.999	466	693	11.9
C3-1334-1816-11	16	0.025	1.107	592	881	13.2
C3-1334-1824-11	24	0.025	1.327	847	1260	15.9

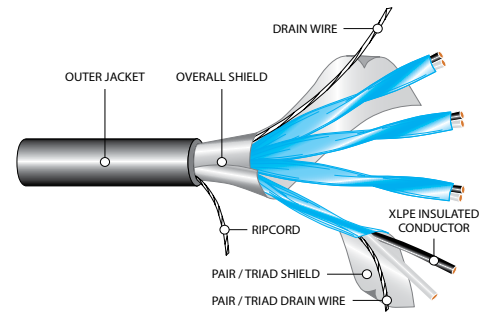
Note: All dimensions are nominal and are subject to normal manufacturing tolerance.

Specifications are subject to change without prior notice.

1 pair / triad overall shielded only. Single pair / triad overall shielded applies to multi-pairs / triads only.

* See page 18 for corresponding connectors.

Individual and Overall Shielded 16AWG 300V XLPE/PVC



SPECIFICATIONS

- CSA C22.2 No. 230
- CSA C22.2 No. 239
- CSA C22.2 No. 38
- CSA FT4 rated (70,000 BTU Vertical Flame Test)

*refer to CE Code for details



CONSTRUCTION

Conductor: 7 strand tinned Class B concentric copper

Insulation: Flame retardant (FR) Cross-Linked Polyethylene (XLPE), Type RW90

Individual Shield: Aluminum/polyester tape shield with 7 strand drain wire over each pair or triad

Overall Shield: Overall aluminum/polyester tape shield with 7 strand drain wire

Outer Jacket: Low-temperature (-40°C), flame and sunlight resistant Polyvinyl Chloride (PVC), black

Options: Tinned copper braid shielded cables are available upon request

150V or 600V cable

Polyvinyl Chloride (PVC) insulation

Other coloured outer jacket and constructions available upon request

Overall shielded only

PAIRS

Part Number	No. of Pairs	Insulation Thickness (in.)	Approximate Diameter (in.)	Net Weight		Minimum Bend Radius (in.)
				LB/MFT	KG/KM	
C3-1124-1601-11	1	0.025	0.316	48	71	3.7
C3-1324-1602-11	2	0.025	0.371	82	122	4.4
C3-1324-1604-11	4	0.025	0.605	167	248	7.2
C3-1324-1608-11	8	0.025	0.782	292	434	9.3
C3-1324-1612-11	12	0.025	0.989	450	669	11.8
C3-1324-1616-11	16	0.025	1.095	571	849	13.1
C3-1324-1624-11	24	0.025	1.313	814	1211	15.7
C3-1324-1636-11	36	0.025	1.546	1165	1733	18.5

TRIADS

Part Number	No. of Pairs	Insulation Thickness (in.)	Approximate Diameter (in.)	Net Weight		Minimum Bend Radius (in.)
				LB/MFT	KG/KM	
C3-1134-1601-11	1	0.025	0.334	60	90	4.0
C3-1334-1602-11	2	0.025	0.568	133	198	6.8
C3-1334-1604-11	4	0.025	0.658	218	325	7.8
C3-1334-1608-11	8	0.025	0.895	422	628	10.7
C3-1334-1612-11	12	0.025	1.081	600	893	12.9
C3-1334-1616-11	16	0.025	1.199	769	1144	14.3
C3-1334-1624-11	24	0.025	1.442	1108	1648	17.3

Note: All dimensions are nominal and are subject to normal manufacturing tolerance.

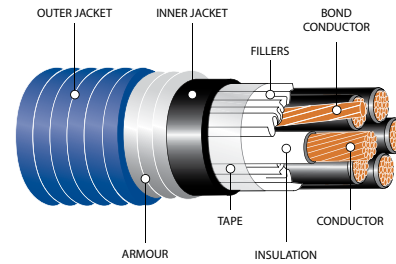
Specifications are subject to change without prior notice.

1 pair / triad overall shielded only. Single pair / triad overall shielded applies to multi-pairs / triads only.

* See page 16 for corresponding connectors.

Armoured Control 16AWG 600V

XLPE/PVC/AIA/PVC



SPECIFICATIONS

- CSA FT4
- CSA C22.2 No. 239
- CSA C22.2 No. 38
- CSA C22.2 No. 174

*refer to CE Code for details



CONSTRUCTION

- Conductor:** Bare copper Class B compressed stranded
- Insulation:** Cross-Linked Polyethylene (XLPE) Type RW90
- Ground (Bonding) Conductor:** Uninsulated stranded bare copper conductor
- Inner Jacket:** Flame-retardant, moisture and sunlight resistant Polyvinyl Chloride (PVC)
- Armour:** Aluminum Interlocked Armour (AIA)
- Outer Jacket:** Low-temperature, moisture and sunlight resistant Polyvinyl Chloride (PVC), blue
- Options:** Galvanized Steel Interlocked Armour (GSIA)
Other coloured outer jacket and constructions available upon request

16 AWG								
Part Number	No. of Conductors	AWG Size		Approximate Diameter (Over)			Net Weight w/ Armour	
		Cond.	Bond Wire	Inner Jacket (in.)	Armour (in.)	Outer Jacket (in.)	LB/MFT	KG/KM
22000-02-040	2	16	16	0.336	0.536	0.650	177	264
22000-03-040	3	16	16	0.356	0.556	0.670	196	291
22000-04-040	4	16	16	0.386	0.586	0.700	217	323
22000-05-040	5	16	16	0.420	0.620	0.730	241	358
22000-06-040	6	16	16	0.457	0.657	0.770	264	393
22000-07-040	7	16	16	0.457	0.657	0.770	276	411
22000-08-040	8	16	16	0.494	0.694	0.810	300	447
22000-10-040	10	16	16	0.597	0.797	0.920	373	555
22000-12-040	12	16	16	0.626	0.826	0.950	407	605
22000-15-040	15	16	16	0.673	0.873	0.990	459	683
22000-20-040	20	16	16	0.749	0.949	1.070	545	811
22000-25-040	25	16	16	0.888	1.123	1.220	730	1086
22000-30-040	30	16	16	0.942	1.172	1.280	811	1206
22000-40-040	40	16	16	1.045	1.275	1.380	974	1449
22000-50-040	50	16	16	1.149	1.379	1.480	1141	1697

Note: All dimensions are nominal and are subject to normal manufacturing tolerance. Specifications are subject to change without prior notice.

* See pages 16-18 for corresponding connectors.

TMC2 Connectors

Standard: Aluminum connectors

Options: Also available in nickel plated brass and stainless steel connectors

Locknuts: Aluminum connectors up to 1" hub size - steel locknut included
Aluminum connectors above 1" hub size - sold separately
Nickel plated connectors - all sizes sold separately
Stainless steel connectors - all sizes sold separately

	Hub Size (in.)	Part Number	Cable Armour Diameter (in.)		Cable Jacket Diameter Overall OD (in.)	
			Aluminum	Min	Max	Min
1	0.50	18-TMC2-050A075	0.420	0.630	0.500	0.750
2	0.50	18-TMC2-050A099	0.600	0.890	0.690	0.990
1A	0.75	18-TMC2-075A075	0.420	0.630	0.500	0.750
2A	0.75	18-TMC2-075A099	0.600	0.890	0.690	0.990
3	0.75	18-TMC2-075A118	0.790	1.100	0.870	1.180
3A	1.00	18-TMC2-100A118	0.790	1.100	0.870	1.180
4	1.00	18-TMC2-100A137	0.940	1.280	1.020	1.370
4A	1.25	18-TMC2-125A137	0.940	1.280	1.020	1.370
5	1.25	18-TMC2-125A162	1.220	1.500	1.300	1.620
6	1.25	18-TMC2-125A190	1.490	1.720	1.570	1.900
5A	1.50	18-TMC2-150A162	1.220	1.500	1.300	1.620
6A	1.50	18-TMC2-150A190	1.490	1.720	1.570	1.900
7	1.50	18-TMC2-150A200	1.570	1.880	1.650	2.000
8	1.50	18-TMC2-150A233	1.790	2.210	1.910	2.330
7A	2.00	18-TMC2-200A200	1.570	1.880	1.650	2.000
8A	2.00	18-TMC2-200A233	1.790	2.210	1.910	2.330
9	2.00	18-TMC2-200A272	2.140	2.610	2.270	2.720
9A	2.50	18-TMC2-250A272	2.140	2.610	2.270	2.720
10	3.00	18-TMC2-300A325	2.490	2.970	2.620	3.250
10A	3.50	18-TMC2-350A325	2.490	2.970	2.620	3.250
11	3.50	18-TMC2-350A376	2.950	3.540	3.160	3.760
11A	4.00	18-TMC2-400A376	2.950	3.540	3.160	3.760
12	4.00	18-TMC2-400A425	3.520	3.940	3.700	4.250

*Note: All dimensions are nominal and are subject to normal manufacturing tolerance.
Specifications are subject to change without prior notice.*

TMC2X Connectors

Standard: Aluminum connectors

Options: Also available in nickel plated brass and stainless steel connectors

Locknuts: All sizes sold separately

RapidEx Sealing Compound Included

	Hub Size (in.)	Part Number	Cable Armour Diameter (in.)		Cable Jacket Diameter Overall OD (in.)	
			Aluminum	Min	Max	Min
1	0.50	18-TMC2X-050AX075	0.420	0.630	0.500	0.750
2	0.50	18-TMC2X-050AX099	0.600	0.890	0.690	0.990
1A	0.75	18-TMC2X-075AX075	0.420	0.630	0.500	0.750
2A	0.75	18-TMC2X-075AX099	0.600	0.890	0.690	0.990
3	0.75	18-TMC2X-075AX118	0.790	1.100	0.870	1.180
3A	1.00	18-TMC2X-100AX118	0.790	1.100	0.870	1.180
4	1.00	18-TMC2X-100AX137	0.940	1.280	1.020	1.370
4A	1.25	18-TMC2X-125AX137	0.940	1.280	1.020	1.370
5	1.25	18-TMC2X-125AX162	1.220	1.500	1.300	1.620
6	1.25	18-TMC2X-125AX190	1.490	1.720	1.570	1.900
5A	1.50	18-TMC2X-150AX162	1.220	1.500	1.300	1.620
6A	1.50	18-TMC2X-150AX190	1.490	1.720	1.570	1.900
7	1.50	18-TMC2X-150AX200	1.570	1.880	1.650	2.000
8	1.50	18-TMC2X-150AX233	1.790	2.210	1.910	2.330
7A	2.00	18-TMC2X-200AX200	1.570	1.880	1.650	2.000
8A	2.00	18-TMC2X-200AX233	1.790	2.210	1.910	2.330
9	2.00	18-TMC2X-200AX272	2.140	2.610	2.270	2.720
8B	2.50	18-TMC2X-250AX233	1.790	2.210	1.910	2.330
9A	2.50	18-TMC2X-250AX272	2.140	2.610	2.270	2.720
9B	3.00	18-TMC2X-300AX272	2.140	2.610	2.270	2.720
10	3.00	18-TMC2X-300AX325	2.490	2.970	2.620	3.250
10A	3.50	18-TMC2X-350AX325	2.490	2.970	2.620	3.250
11	3.50	18-TMC2X-350AX376	2.950	3.540	3.160	3.760
11A	4.00	18-TMC2X-400AX376	2.950	3.540	3.160	3.760
12	4.00	18-TMC2X-400AX425	3.520	3.940	3.700	4.250

*Note: All dimensions are nominal and are subject to normal manufacturing tolerance.
Specifications are subject to change without prior notice.*

TC Connectors

Standard: Aluminum connectors

Options: Also available in nickel plated brass and stainless steel connectors

Locknuts: Aluminum connectors up to 1" hub size - steel locknut included
Aluminum connectors above 1" hub size - sold separately
Nickel plated connectors - all sizes sold separately
Stainless steel connectors - all sizes sold separately

	Hub Size (in.)	Part Number	Cable Jacket Diameter Overall OD (in.)	
		Aluminum	Min	Max
1	0.50	18-TC-050A028	0.13	0.28
1A	0.50	18-TC-050A055	0.26	0.55
2	0.75	18-TC-075A028	0.13	0.28
2A	0.75	18-TC-075A055	0.26	0.55
3	0.75	18-TC-075A079	0.47	0.79
3A	1.00	18-TC-100A079	0.47	0.79
4	1.00	18-TC-100A104	0.67	1.04
4A	1.25	18-TC-125A104	0.67	1.04
5	1.25	18-TC-125A127	0.92	1.27
5A	1.50	18-TC-150A127	0.92	1.27
6	1.50	18-TC-150A150	1.22	1.50
6A	2.00	18-TC-200A150	1.22	1.50
7	2.00	18-TC-200A174	1.40	1.74
7A	2.00	18-TC-200A197	1.63	1.97
8	2.50	18-TC-250A174	1.40	1.74
8A	2.50	18-TC-250A197	1.63	1.97
9	2.50	18-TC-250A220	1.86	2.20
9A	2.50	18-TC-250A244	2.13	2.44
10	3.00	18-TC-300A220	1.86	2.20
10A	3.00	18-TC-300A244	2.13	2.44
11	3.00	18-TC-300A268	2.40	2.68
11A	3.50	18-TC-350A268	2.40	2.68
12	3.50	18-TC-350A315	2.62	3.15
12A	4.00	18-TC-400A315	2.62	3.15
13	4.00	18-TC-400A354	2.99	3.54

Note: All dimensions are nominal and are subject to normal manufacturing tolerance.
Specifications are subject to change without prior notice

EDITOR'S NOTE: Texcan has made every effort to ensure the accuracy of the information in this catalogue. Information contained herein neither constitutes endorsement of the product nor does Texcan make any claims or guarantees as to the accuracy or the completeness of the information. All information is subject to change without notice and suggestions made are not to be understood as recommendations to use any products in violation of any regulation or laws relating to any material or its intended use.

AWG to Metric Conversion Chart

AWG	mm ²	AWG	mm ²	AWG	mm ²	AWG	mm ²
28	0.08	14	2.08	2	33.63	300	152.01
26	0.13	12	3.31	1	42.41	350	177.35
24	0.20	10	5.26	1/0	53.51	400	202.68
22	0.32	8	8.37	2/0	67.44	500	253.35
20	0.52	6	13.30	3/0	85.03	600	304.02
18	0.82	4	21.15	4/0	107.22	750	380.03
16	1.31	3	26.66	250	126.68	1000	506.71

Length Conversions

From	To	Multiply By	From	To	Multiply By
Kilometers	Miles	0.06214	Miles	Kilometers	1.6093
Meters	Feet	3.2808	Yards	Meters	0.9144
Meters	Inches	39.3701	Feet	Meters	0.3048
Meters	Yards	1.0936	Feet	Centimeters	30.48
Centimeters	Inches	0.3937	Inches	Meters	0.0254
Centimeters	Feet	0.03281	Inches	Centimeters	2.54
Millimeters	Inches	0.03937	Inches	Millimeters	25.4
Millimeters	Mils	39.3701	Inches	Mils	1000.0
Mils	Inches	0.001	Mils	Millimeters	0.0254

Mass Conversions

From	To	Multiply By	From	To	Multiply By
Kilograms	Pounds	2.205	Pounds	Kilograms	0.4535
Kilograms	Short Tons	0.0011	Short Tons	Kilograms	907.1848
Grams	Grains	15.4323	Grains	Grams	0.0647
Grams	Ounces	0.0352	Ounces	Grams	28.3495

Length & Mass Conversions

From	To	Multiply By
KG/KM	LBS/MFT	0.6719
LBS/MFT	KG/KM	1.488

Temperature Conversions

From	To	Multiply By
Celsius	Fahrenheit	(°C x 9/5) + 32
Fahrenheit	Celsius	(°F - 32) x 5/9

Our Value Added Services

Cable Management Program

- Competitive contract pricing
- Customer specified tagging requirements
- Customer specified reel sizes
- Custom cut lengths
- Long lengths capability
- Timely product releases
(reduces on-site storage space and costs)
- Product on-site scheduling
- Custom packing slips
- Bar-coded product labels
- Weatherproof reel tags
- Expediting and progress reports

Specialized Technical Assistance

- Technical expertise on cable applications, installation procedures, ampacities, bending radii, terminations and cable selection

Customized Cable Solutions

- Special constructions built to customer specifications when requested

International Export Services

- Specialized export services, packaging, labeling, freight consolidation, customs advisory services and adherence to Incoterms 2010

Paralleling

- Offers a contractor a significant installation advantage in a single reel containing multiple phase conductors

Lagging

- A safe method of protecting cables that must be transported through rough terrain involving 2" x 4" lumber 'lags' which are fastened across the flanges encasing the cable reel

Pulling Eyes and Bolts

- A pulling line can be attached to the cable when requested to aid in the installation of cables into conduit, tray or duct

Just-In-Time (JIT)

- Just-in-time shipments to job sites across North America through our network of distribution warehouses
- Our stocking, cutting and shipment expertise ensure that your wire and cable requirements are satisfied and project delays eliminated

After Hours, Emergency Service

- We understand that our customers' needs don't always fall within the course of a normal business day, therefore we provide 24/7 service

Quality Service is Our
Source of Pride

Largest Stocked Inventory in Western Canada

Building Wire

- AC90 Armoured Cables
- Fire Alarm Cables
- ACWU Armoured Cables
- NMD90 / NMWU90 Cables
- Solid / Stranded Bare Copper
- RA90 / Armoured Cables CU / AL
- SIMpull Solutions®
- RW90 / RWU 90 CU / AL
- T90 CU / TW75 / TWH / TWU
- LVT

Connectors

- Armoured Cable Connectors
- Explosion-proof Connectors
- Strain Reliefs Metal & Nylon
- High Voltage Termination Kit
- Tray Cable Connectors

Control Cables

- Multiconductor
 - Armoured / Unarmoured
- Portable Control Cables
- Shielded Control Cables
- Custom Bundling / Armouring

Communication

- Computer Cables
- Inside / Outside Plant Wires
- Telephone Cables
- Plenum Cables
- Direct Burial

Data Cables

- Category 5E, 6, 6A, 7 Rated Cables
- Co-Axial / Twin-Axial Cables
- Ethernet Cables
- Network Cables
- Patch Cords (Copper / Fiber Optic)
- Armoured Data Cables

Electronic Cables

- Armoured Cables
- Audio / Visual Cables
- Broadcast Cables
- Low Capacitance Wires
- Plenum Wires
- Precision Video Wires
- Industrial Automation Cables
- Belden® Classics & NewGen

Fiber Optic Cables

- SM / MM
- Loose Tube, Tight Buffer
- Indoor / Outdoor / Riser / ADSS

- Armoured / Non-Armoured
- Hybrid Fiber
- Specialty XPRLTM / RLTM

Instrumentation Cables

- Armoured / Unarmoured
 - Interlocked Steel / Aluminum
- Multiconductor / Pairs / Triads
- Shielded / Unshielded

Marine Cables

- Boat Cables
- Shipboard Cables
- Offshore Rig / Marine Cables

Mining Cables

- Blasting Wires
- Mine Power Feeder Cables
- Portable Power Cables
 - Type W, G, GGC, SHDGC (2KV - 35 KV)
- Trailing Cables
- Cable Assemblies
- Vertical Riser Cables

Portable Cords

- High Temperature Cables
- Ultraflex™ Low Temperature Cords
- Ultraflex™ Extension Cords
- Retractable Cords
- Type: SJ00W, SO0W, SJTOW, STOW
- Welding Cables
- Stage Lighting
- Landscape Lighting
- Multiconductor

Power Cables

- ACSR / AAC Linewire
- High Voltage Power Cables
- Overhead Service (NS75 / NS90)
 - Duplex, Triplex, Quadruplex
- Underground Service
 - USEI, USEB
- TECK 90 HL Cables (600V - 35KV)
- Tray Cables
 - Power and Control
- Underground Distribution
- Airguard™

Specialty Wire / Products

- Coil Lead Wires
- European Cables (CE & VDE approved)
- 2HR Fire Rated
- VITALink® Fire Resistive
- Teflon® Insulated Wires
- SIS Switchboard Wires

- TEW Equipment Wires
- TR64
- Low Smoke Zero Halogen Cables
- Milspec Hookup Wires
- Tracer Wires
- Utility Hydro Cables
- Split Loom
- Automotive Cables
- Variable Frequency Drive (VFD) Cables
- Thermocouple Wires
- Heat Trace Cables
- Grounding Cables

Specialty Cords / Cables

- Extra Flexible Portable Cables
- Parallel Conductor Cords
- Small Diameter Flexible Control (SDN)
- Traffic Signal Cables CLMTO / IMSA
- Trailer Cables
- Airport Lighting Cables
- Battery Cables
- Diesel Locomotive Cables
- Reeling Cables
- Pendant Cables / Festoon

Custom-Built Cables

- Made to Customer Specifications

Accessories

- Hardware, Lugs, Cable Ties
- 3M Accessories

SIMPull Solutions®

- Maxis® 6K Tugger
- Maxis® 3K Tugger
- Maxis® Grips™
- QWIKrope®
- Swivel
- SIMpull™ REEL
- SIMpull HEAD®
- SIMpull® Flange
- SIMpull™ Cradle
- GRIPit™
- A Frame

VALUE ADDED SERVICES

- Cable Management Program
- Specialized Technical Assistance
- 24/7 Emergency Shipping Service
- International Export Services
- Custom Cables / Printing / Cutting
- Paralleling / Lagging / Tagging
- Bundling / Armouring
- Bar Coding and Inventory Tracking
- State-of-the-Art Distribution Centre



VANCOUVER

Call 1.800.665.1025
10449 120th Street
Surrey, BC V3V 4G4
Tel: 604.528.3600
Fax: 604.528.3790

EDMONTON

Call 1.800.252.7545
11330 189 Street NW
Edmonton, AB T5S 2V6
Tel: 780.944.9331
Fax: 780.486.3182

CALGARY

Call 1.855.717.3900
#105-10710 25th Street NE
Calgary, AB T3N 0A1
Tel: 403.717.3900
Fax: 403.717.3910

SASKATOON

Call 1.855.385.3800
3403 Faithfull Avenue
Saskatoon, SK S7K 8H6
Tel: 306.385.3800
Fax: 306.385.3810

WINNIPEG

Call 1.800.665.2491
25 Meridian Drive
Winnipeg, MB R2R 1J4
Tel: 204.982.9290
Fax: 204.661.8459